

Life More Secure.

FOR INSTALLATION AND
PRODUCT INFORMATION,
CALL OUR TOLL FREE NUMBER
MONDAY-FRIDAY 8:00AM - 5:00PM CST:

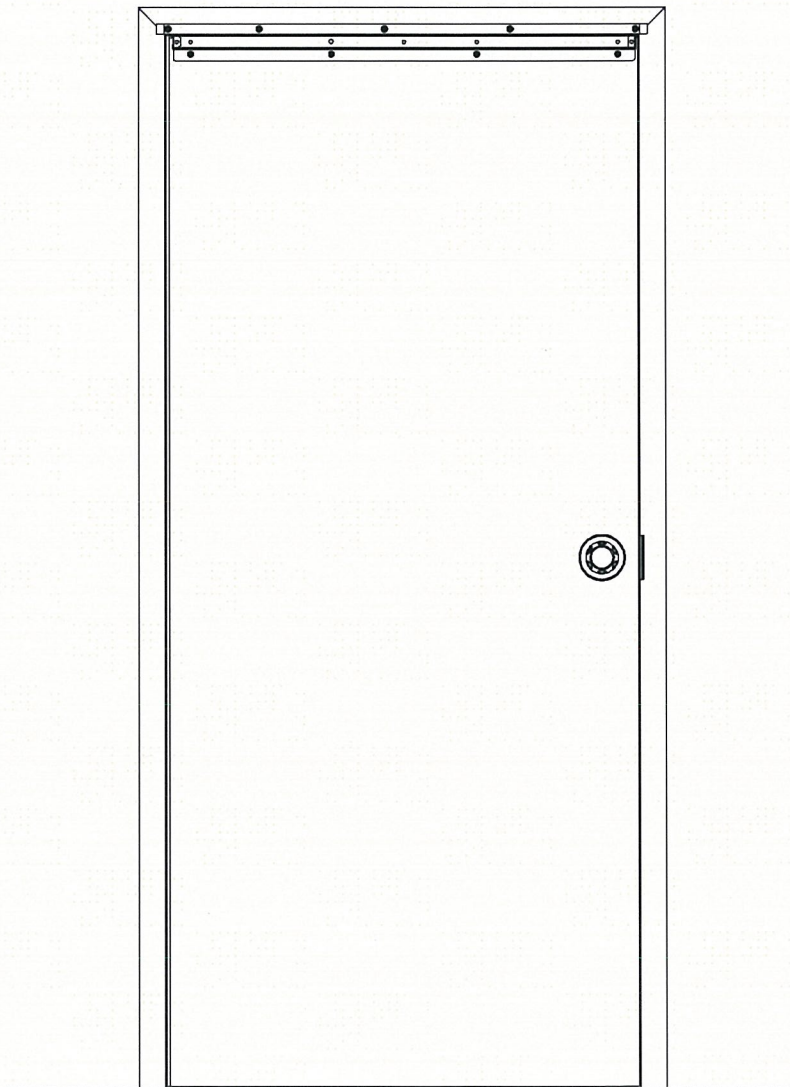
1-877-998-5625

OR VISIT OUR WEBSITE AT:

WWW.THEDOORSWITCH.COM

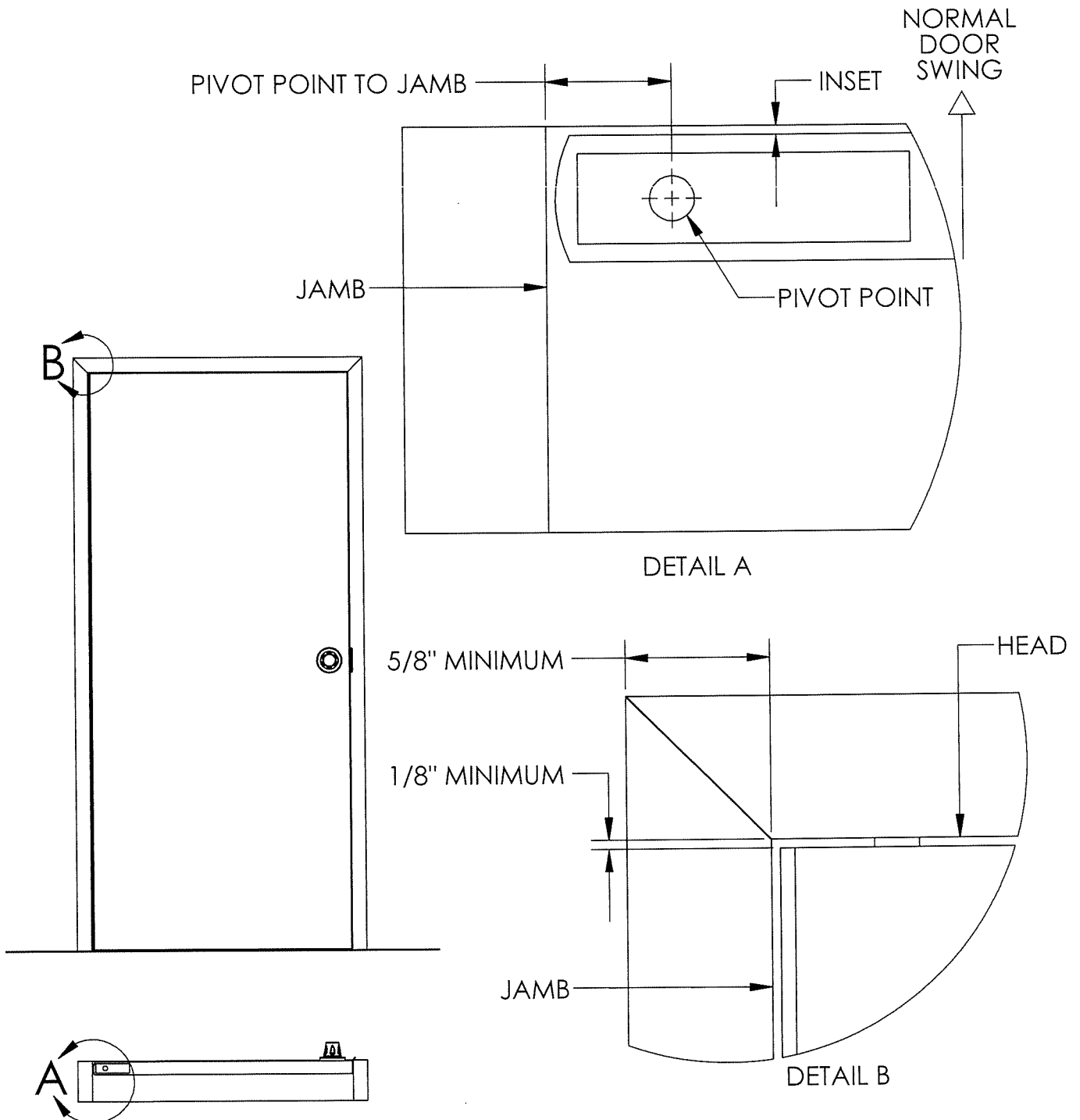
The Door Switch™ is a patented design. Patent No. RE42,991.

DOORWAY COMPONENT INSTALLATION SHEETS
(RETROFITTING DOORWAY HAVING CENTER HUNG PIVOT)



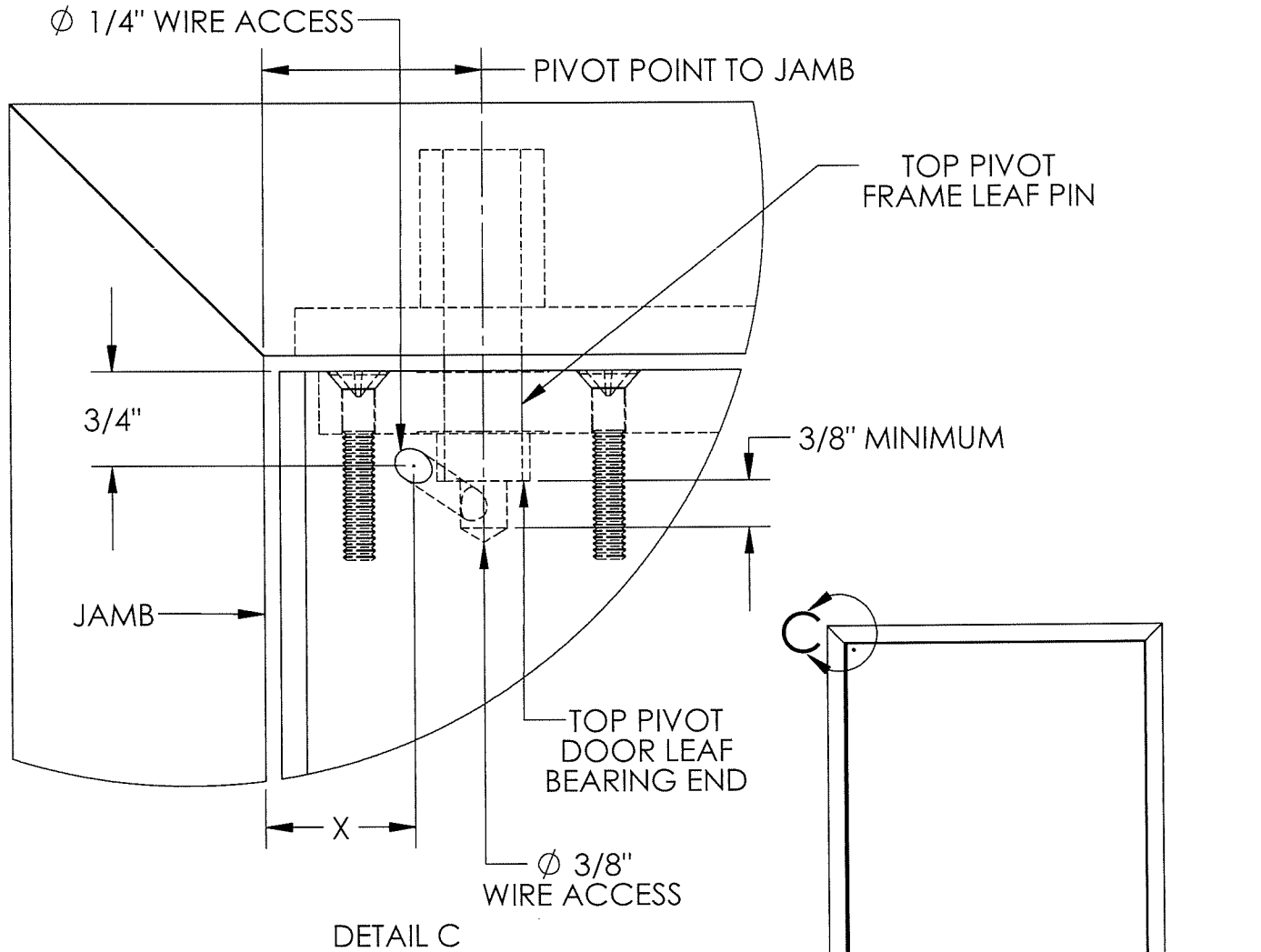
Doorway Preparation

1. Measure the distance between the pivot point and the jamb. **This measurement will be used to determine the location of a wire access hole and switch mounting hole.**
2. Measure the inset of the door to the frame face in the normal door swing direction. **If more than 1/8", a header will not be installed.**
3. Verify there is a 5/8" minimum frame face.
4. Verify the door latch enters the frame strike when there is 1/8" minimum clearance between the frame head and the top of the door.



Doorway Preparation (continued)

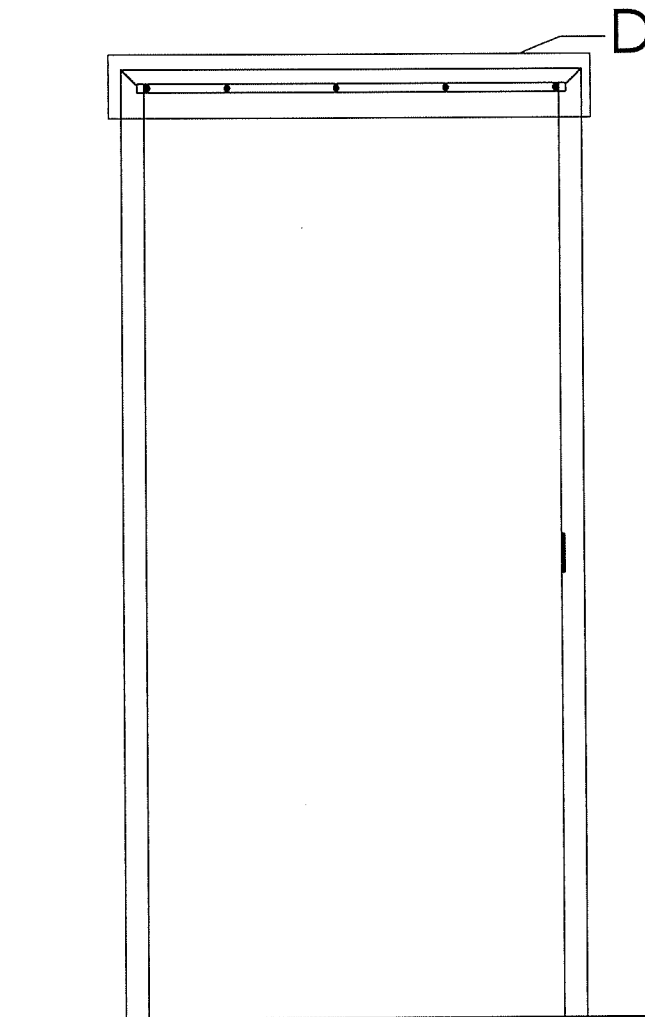
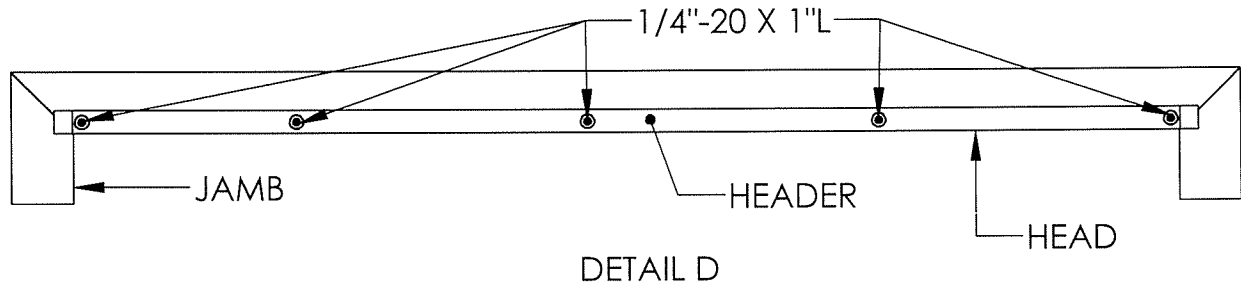
5. Mark the 1/4" diameter wire access hole location on the face of the door using the chart and the measured distance between the pivot point and the jamb.
6. Reference the mechanical top pivot installation instructions and remove the door from the opening.
7. Mark, center punch, and drill a 3/8" diameter wire access hole through the center of the door leaf bearing and 3/8" minimum past the end of the bearing.
8. Remove the mechanical top pivot from the frame and door and discard.
9. Center punch and drill the 1/4" diameter wire access hole on an angle to intersect the 3/8" diameter wire access hole below the door leaf bearing end.



PIVOT POINT TO JAMB	X
1-5/16"	1-5/8"
1-3/4"	1-3/8"
2"	1-3/8"
2-3/4"	1-1/8"

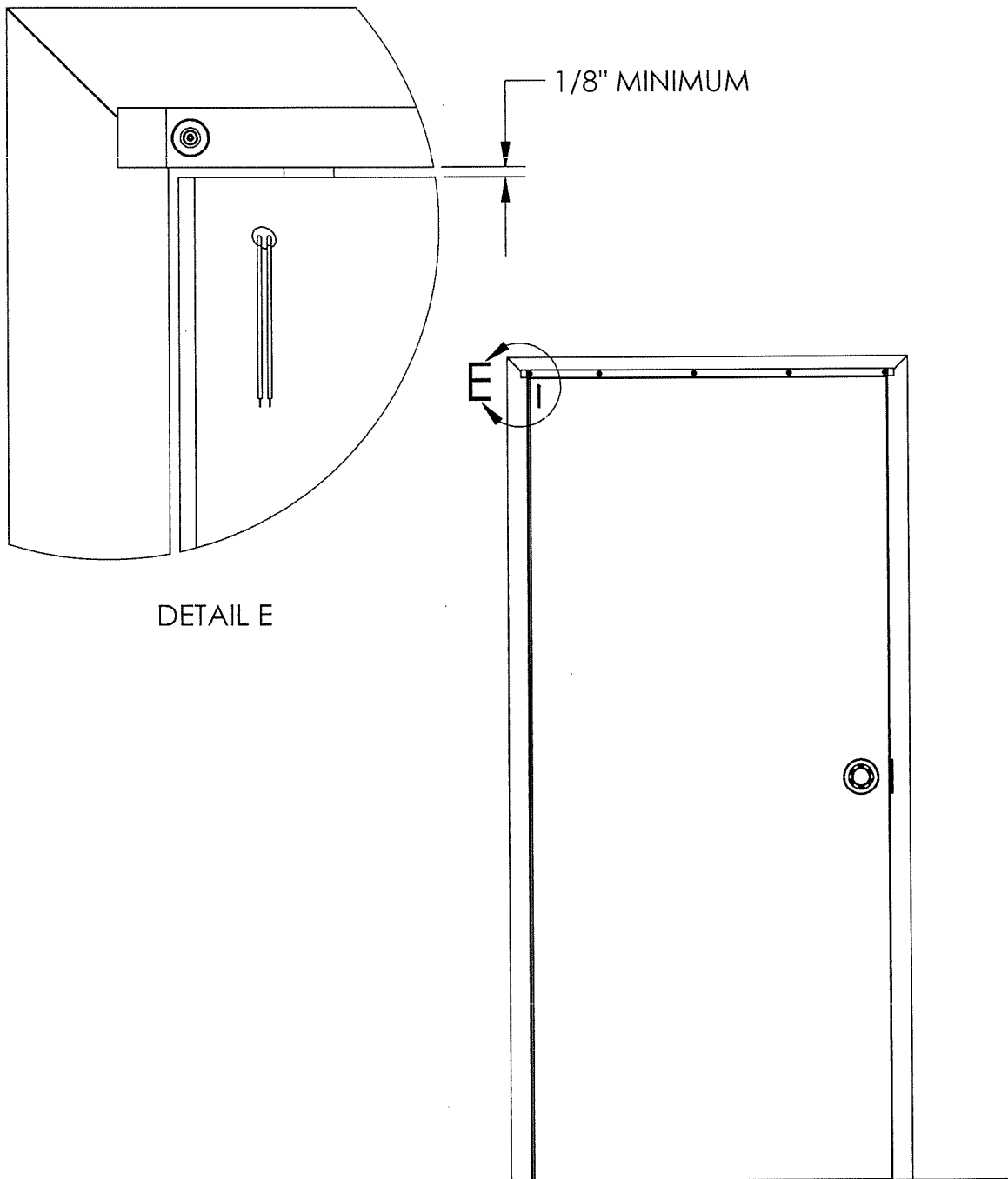
Header Installation

1. Verify the inset of the door to the frame face in the normal swing direction is $1/8"$ or less. **If more than $1/8"$, a header will not be installed.**
2. Mark the mounting hole locations using the header as a guide. Center the header on the frame face and align the bottom of the header with the frame head.
3. Center punch, drill, and tap the mounting holes into the frame face for a $1/4"$ -20 thread. (Recommended drill size is $.201"$ diameter, #7 drill bit.)
Accurate location is important for proper installation.
4. Attach the header to the frame using the $1/4"$ -20 tamper-resistant screws provided.



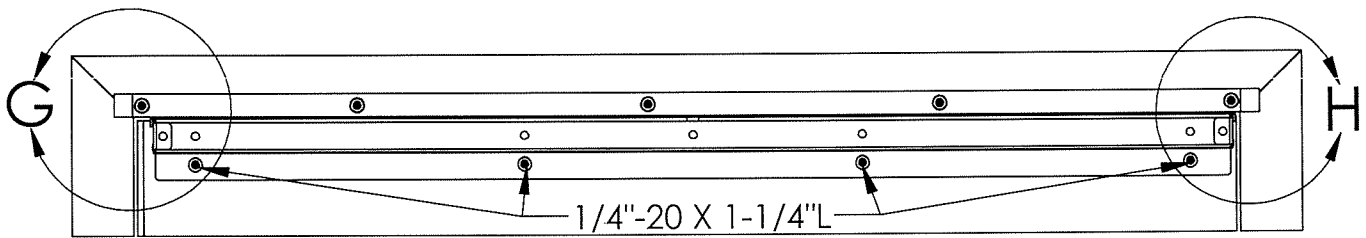
Door Installation

1. Reference the mechanical top pivot installation instructions.
2. Install an electrified version of the same model of top pivot that was removed from the doorway.
3. Make the electrical connections between the electrified top pivot frame leaf wires and The Door Switch System module.
4. Hang the door with 1/8" minimum clearance between the frame head and the top of the door. Route the electrified top pivot door leaf wires through the wire access hole below the door leaf bearing end and out the face of the door. **Do not damage the wires.**
5. Check the door for proper swing and clearances.

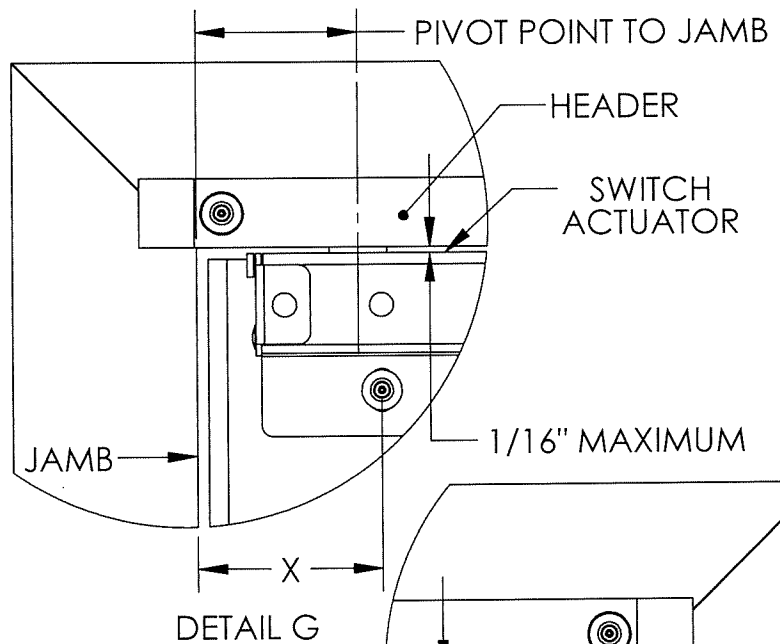
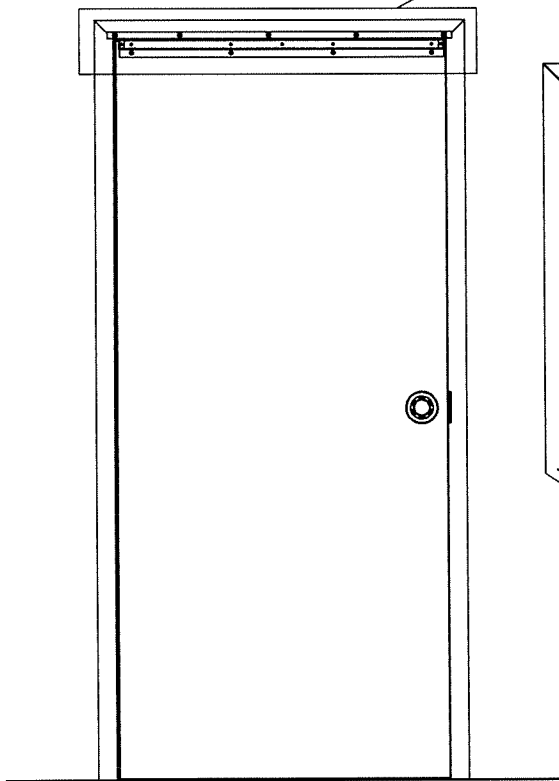


Switch Installation

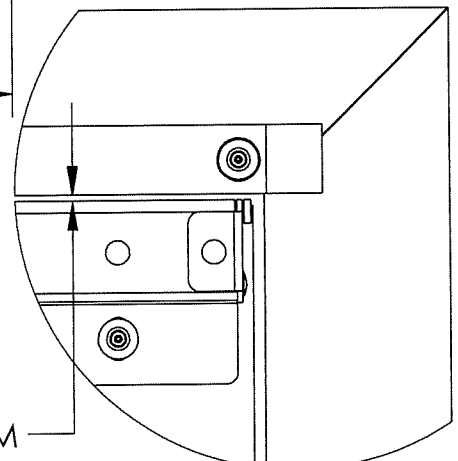
1. Mark a line on the face of the door using the chart and the measured distance between the pivot point and the jamb.
2. Locate the center of the pivot side mounting hole of the switch on this mark with the switch actuator $1/16''$ maximum to the header.
3. Mark the mounting hole locations using the switch as a guide.
4. Center punch and drill the $3/8''$ diameter mounting holes completely through the door. **Accurate location is important for proper installation.**
5. Make the electrical connections between the electrified top pivot door leaf wires and the switch wires. **Excess wire must be routed back into the wire access hole in the door.**
6. Attach the switch to the door using the $1/4''$ -20 tamper-resistant screws and sexbolts provided.
7. Verify there is $1/16''$ maximum clearance between the switch actuator and the header.
8. Complete the installation by verifying the switch is operating properly with The Door Switch System.



F DETAIL F



DETAIL G



DETAIL H

PIVOT POINT TO JAMB	X
1-5/16"	2-3/8"
1-3/4"	2"
2"	2"
2-3/4"	1-15/16"