



Life More Secure.

FOR INSTALLATION AND
PRODUCT INFORMATION,
CALL OUR TOLL FREE NUMBER
MONDAY-FRIDAY 8:00AM - 5:00PM CST:

1-877-998-5625

OR VISIT OUR WEBSITE AT:

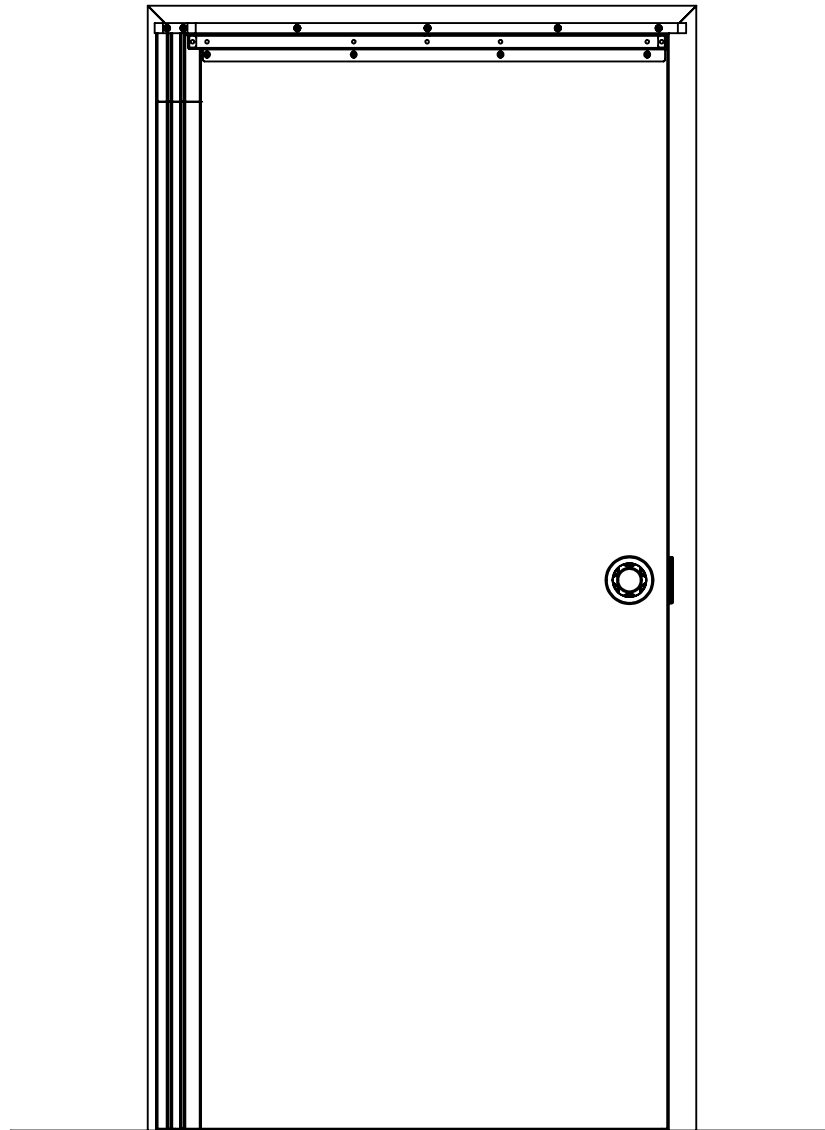
WWW.THEDOORSWITCH.COM

The Door Switch™ is a patented design.

U.S. Patent No. RE42,991

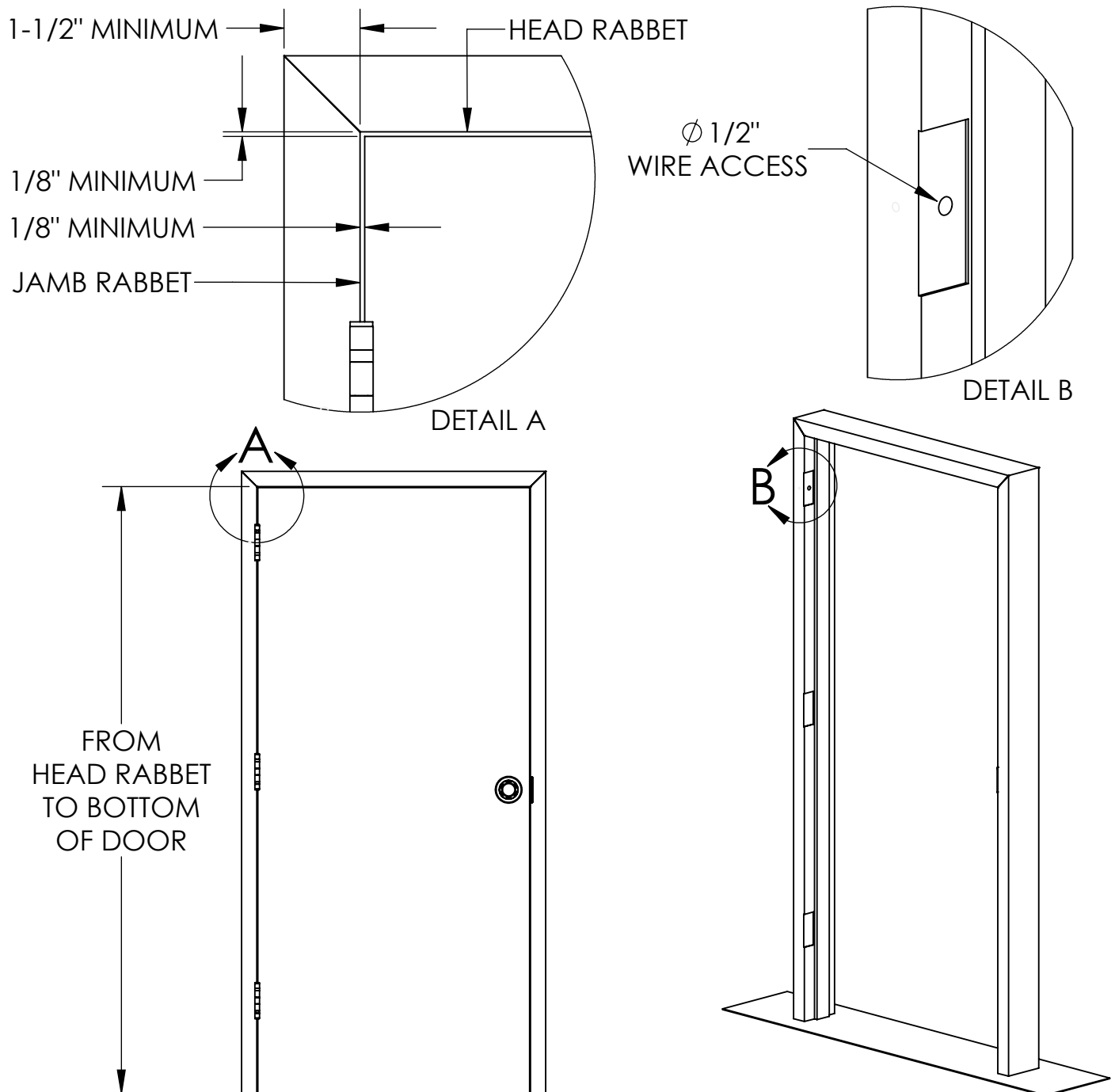
U.S. Patent No. RE44,039

DOORWAY COMPONENT INSTALLATION SHEETS
(RETROFITTING DOORWAY HAVING BUTT HINGES)



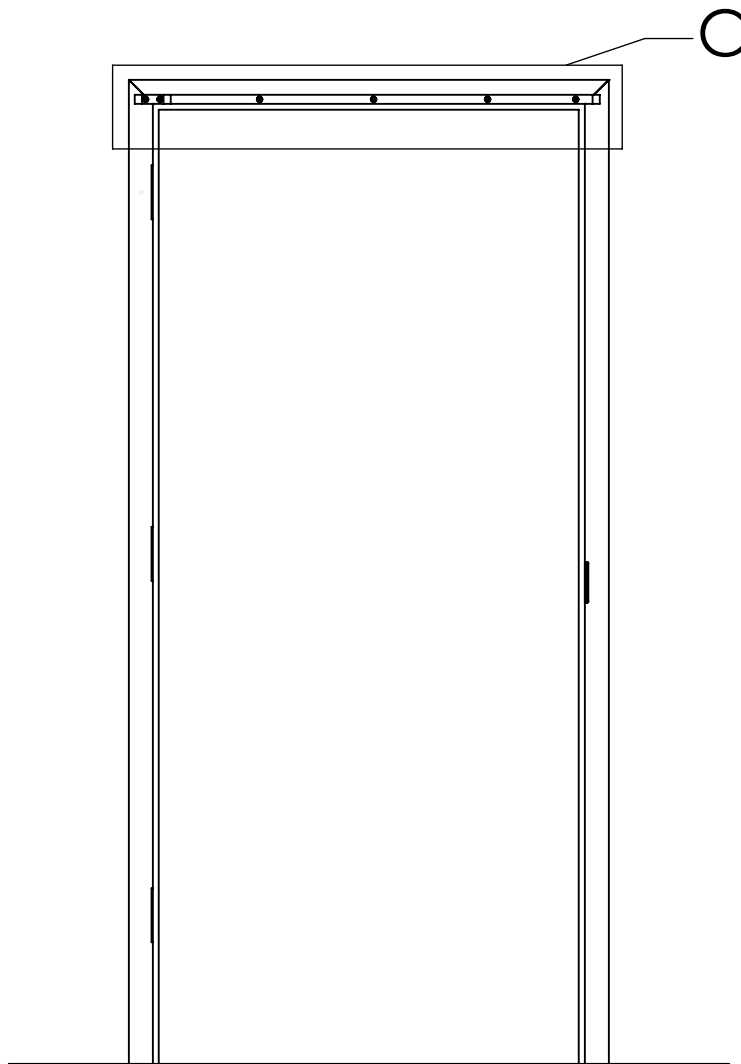
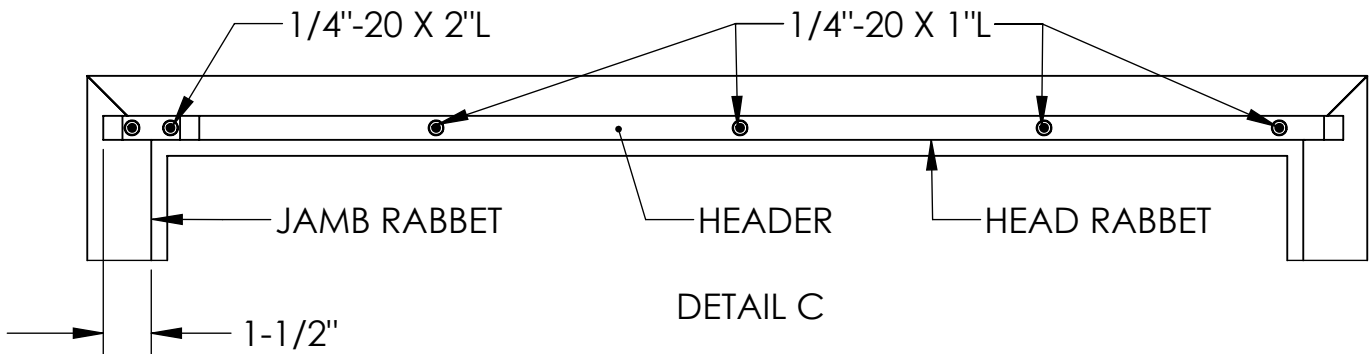
Doorway Preparation

1. Verify there is a 1-1/2" minimum frame face.
2. Verify the door latch enters the frame strike when there is 1/8" minimum clearance between the frame head rabbet and the top of the door.
3. Verify there is 1/8" minimum clearance between the hinge side frame jamb and the side of the door.
4. Measure the distance between the frame head rabbet and the bottom of the door. ***This measurement minus the length of the electrified hinge will be the length of the mechanical hinge.***
5. Remove the door and butt hinges from the frame. Remove the butt hinges from the door and discard.
6. Drill a 1/2" diameter wire access hole through the frame at the top butt hinge location for making the electrical connections between the electrified hinge frame leaf wires and The Door Switch System module wires.



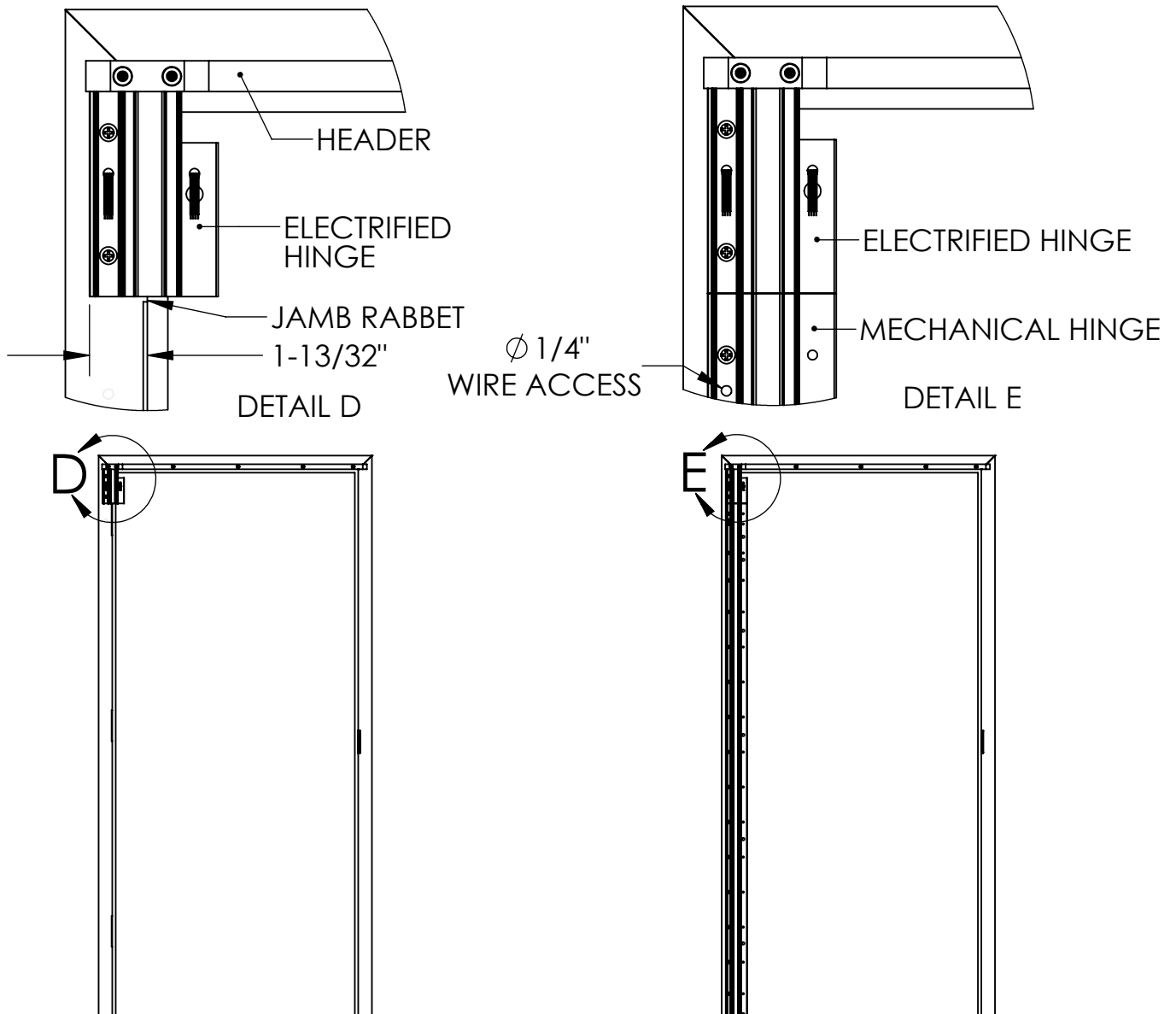
Header Installation

1. Mark the mounting hole locations using the header as a guide. Locate the hinge side of the header 1-1/2" from the frame jamb rabbet and align the bottom of the header with the frame head rabbet.
2. Center punch, drill, and tap the mounting holes into the frame face for a 1/4"-20 thread. (Recommended drill size is .201" diameter, #7 drill bit.)
Accurate location is important for proper installation.
3. Attach the header to the frame using the 1/4"-20 tamper-resistant screws provided.



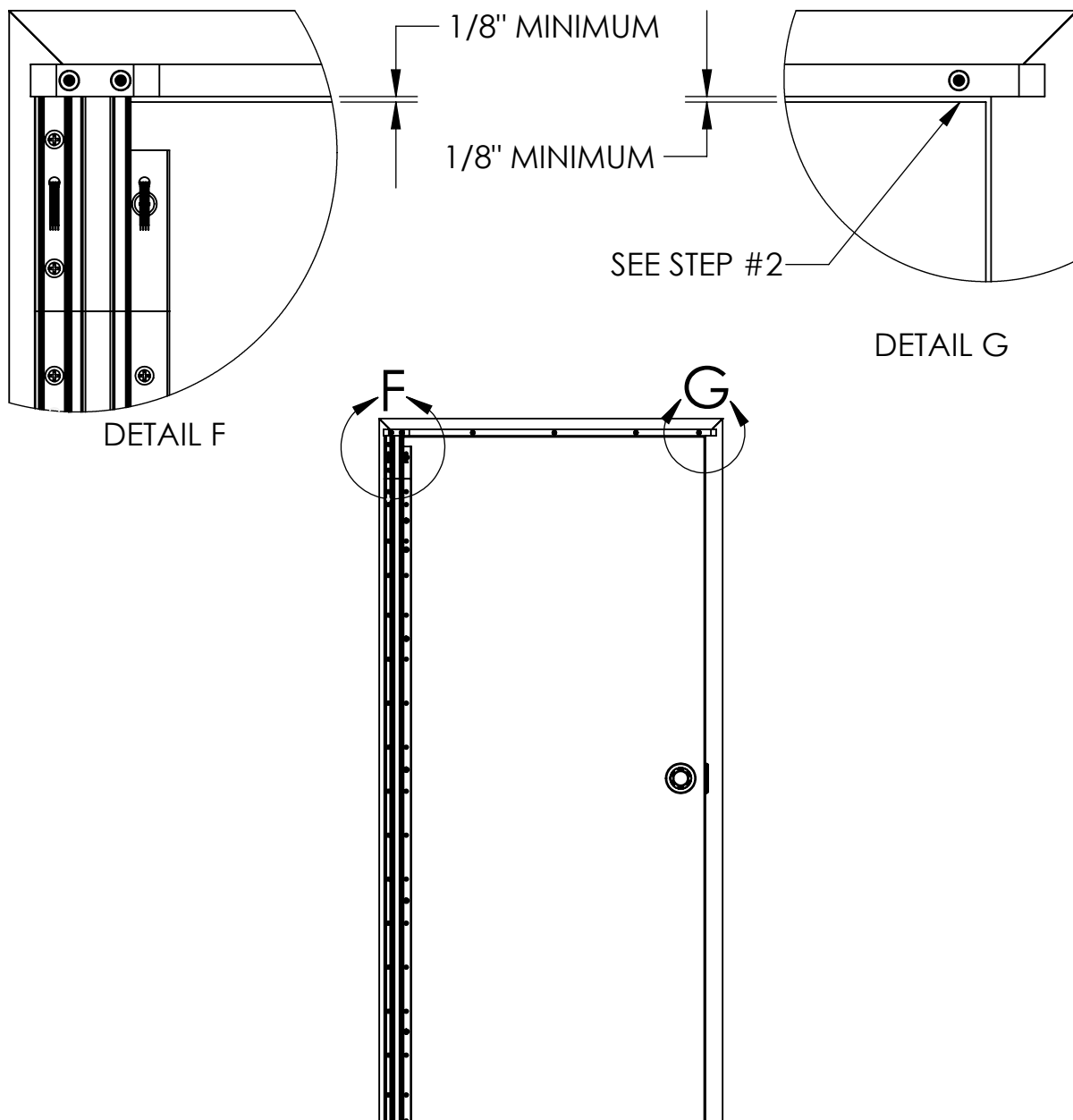
Electrified and Mechanical Hinge Installation

1. Reference mechanical hinge installation instructions.
2. Mark a line on the frame face 1-13/32" from the jamb rabbet.
3. Place the outer edge of the electrified hinge frame leaf on this mark with the top of the hinge positioned flush (1/32" maximum gap) to the header.
4. Mark and center punch the mounting hole locations. **Accurate location is important for proper installation.**
5. Attach the electrified hinge to the frame face using the screws provided with the mechanical hinge.
6. Trim the bottom of the mechanical hinge to the needed length.
7. Place the outer edge of the mechanical hinge frame leaf on the same mark used for the electrified hinge, with the top of the hinge positioned flush (1/32" maximum gap) to the electrified hinge.
8. Mark and center punch the mounting hole locations. **Accurate location is important for proper installation.**
9. Attach the mechanical hinge to the frame face using the screws provided.
10. Drill a 1/4" diameter wire access hole through the hinge and frame near the top butt hinge location.
11. Insert the electrified hinge frame leaf wires through the wire access hole and make the electrical connections to The Door Switch System module. **Connecting 2 hinge wires to 1 module wire is recommended.**



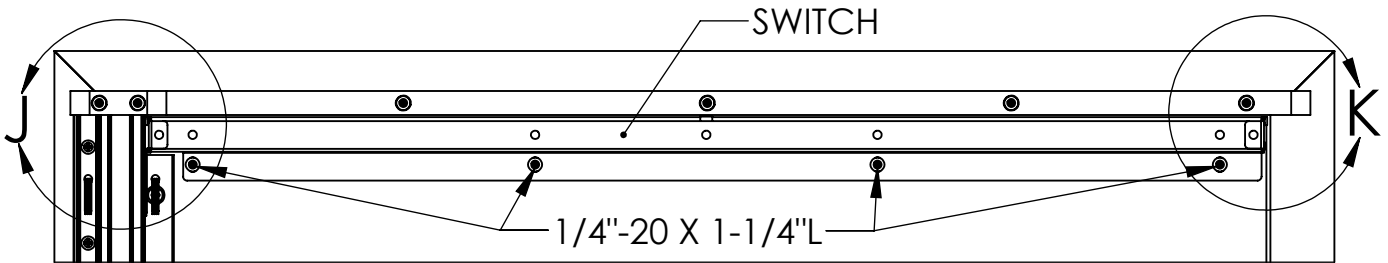
Door Installation

1. Reference mechanical hinge installation instructions.
2. Rotate the hinge door leaves out of the way and set the door into the frame using shims or wedges to adjust for 1/8" minimum clearances between the frame head and jamb rabbets and the top and hinge side of the door.
Adjust the clearance between the frame head rabbet and the top latch side of the door to be 1/16" less to allow for any settling that may occur after the shims are removed and the weight of the door is transferred entirely to the frame and hinge.
3. With the door held securely in place, rotate the hinge door leaves into position on the face of the door.
4. Mark, center punch, and drill the 3/8" diameter mounting holes completely through the door for both the electrified and mechanical hinge door leaves.
Accurate location is important for proper installation. Rotate the hinge leaves out of the way when drilling through the door.
5. Attach the electrified and mechanical hinge to the door using the sexbolts provided with the mechanical hinge.
6. Remove all shims or wedges and check the door for proper swing and clearances.

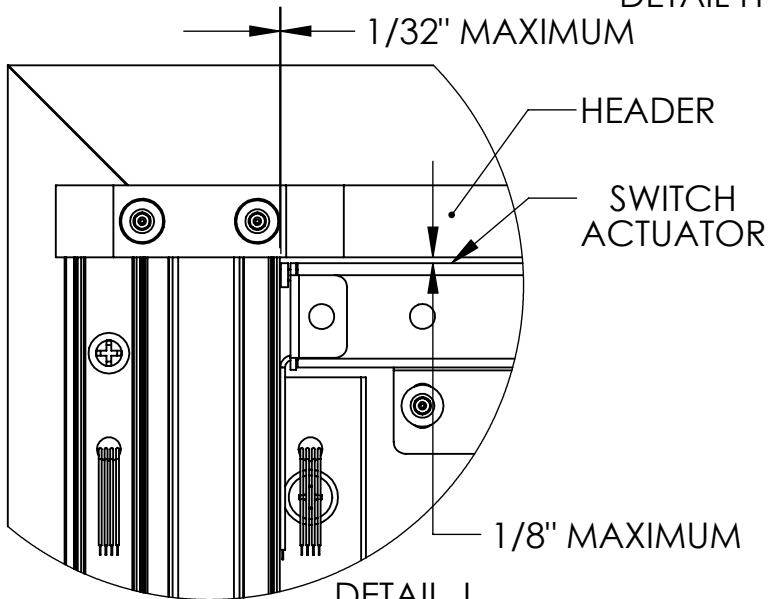


Switch Installation

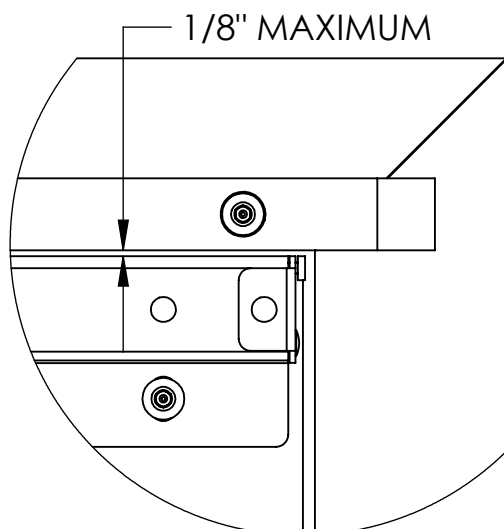
1. Mark the mounting hole locations using the switch as a guide. Locate the switch flush (1/32" maximum gap) to the hinge and the switch actuator 1/8" maximum to the header.
2. Center punch and drill the 3/8" diameter mounting holes completely through the door. **Accurate location is important for proper installation.**
3. Attach the switch to the door using the 1/4"-20 tamper-resistant screws and sexbolts provided.
4. Verify there is 1/8" maximum clearance between the switch actuator and the header.
5. Make the electrical connections between the electrified hinge door leaf wires and the switch wires. **Connecting 2 hinge wires to 1 switch wire is recommended. Combine the same color wires as used when connecting the electrified hinge frame leaf wires to The Door Switch System module.**



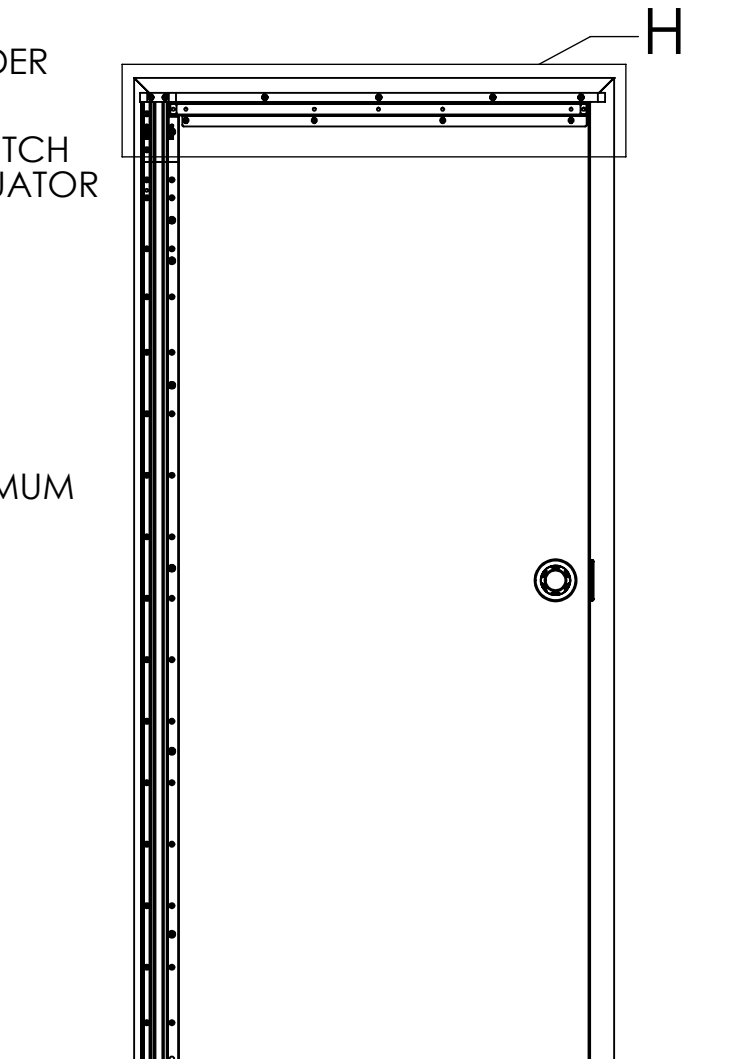
DETAIL H



DETAIL J



DETAIL K



Complete the Installation

1. Verify the switch is operating properly with The Door Switch System. **Moving the switch actuator closer to the header will improve the switch operation.**
2. Install hinge plates to cover the locations of the butt hinges.
3. Reference the mechanical hinge installation instructions for attaching the snap-on moldings for both the electrical and mechanical hinges. **Install the electrical hinge moldings first.**

