



Life More Secure.

FOR INSTALLATION AND  
PRODUCT INFORMATION,  
CALL OUR TOLL-FREE NUMBER  
MONDAY-FRIDAY 8:00AM - 5:00PM CST:

**1-877-998-5625**

OR VISIT OUR WEBSITE AT:

[WWW.THEDOORSWITCH.COM](http://WWW.THEDOORSWITCH.COM)

The Door Switch™ is a patented design.

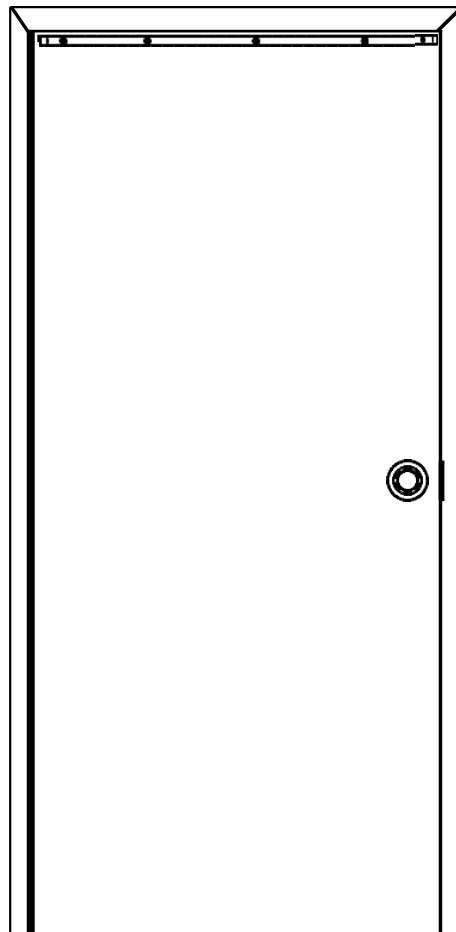
U.S. Patent No. RE42,991

U.S. Patent No. RE44,039

## DOORWAY COMPONENT INSTALLATION SHEETS

(RETROFITTING DOORWAY HAVING BUTT HINGES)

MORTISE CONTINUOUS HINGE APPLICATION

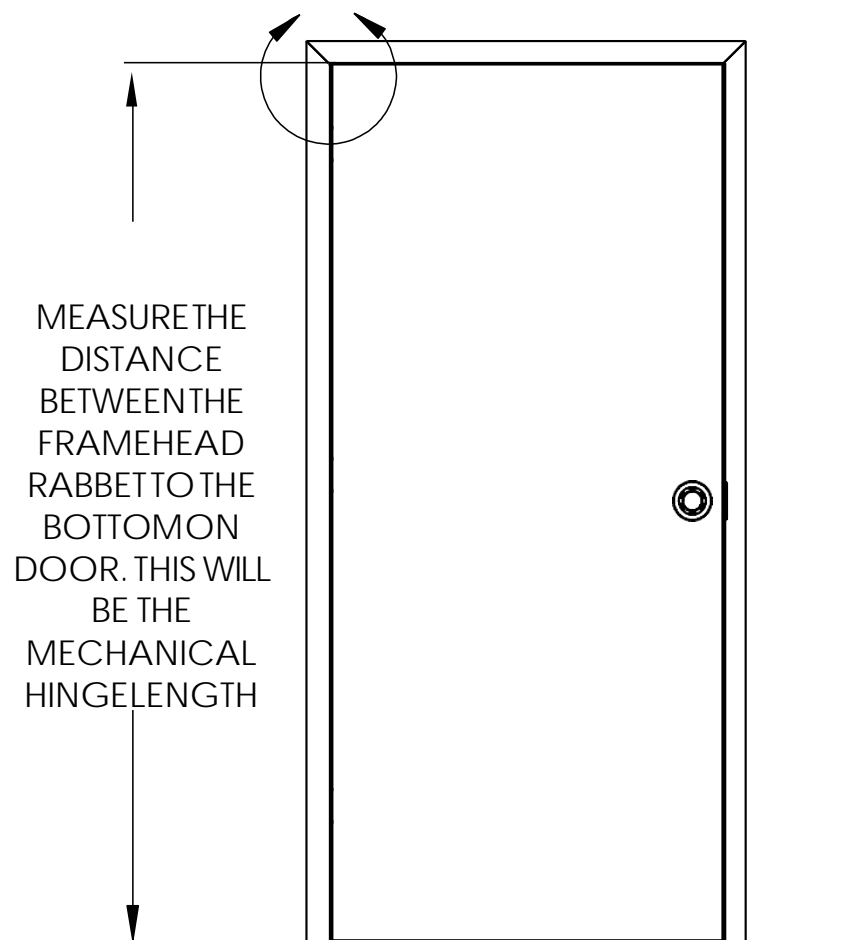


PLEASE CONFIRM THE ROOM NUMBER MATCHES WHAT IS WRITTEN ON THE PACKAGE  
BEFORE BEGINNING INSTALLATION.

This application will require the width of the doors to be undersized.

## Doorway Preparation

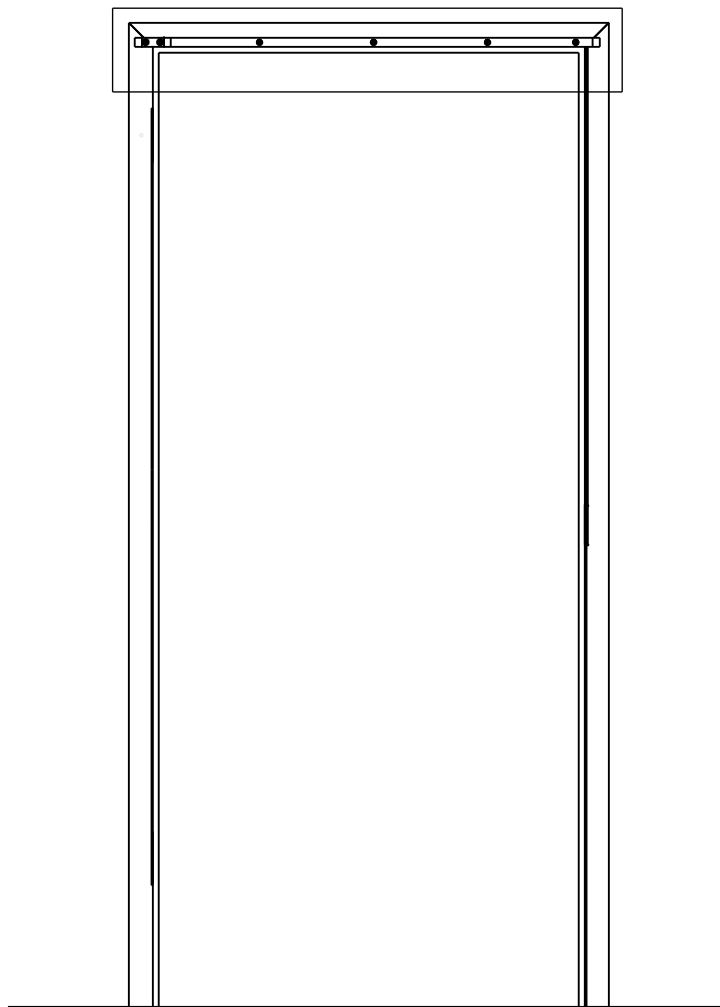
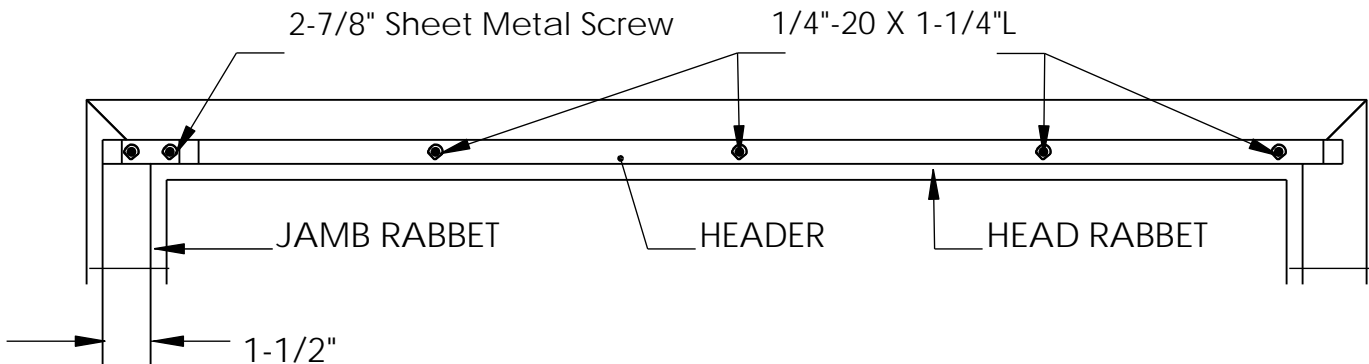
1. Verify there is a 1/8" minimum clearance between latch side frame jamb and the edge of the door.
2. Measure the distance between the frame head rabbet and the bottom of the door. **This measurement minus the length of the electrified hinge will be the length of the mechanical hinge.**
3. Remove the Door and hinges from the frame. Remove the hinges from the door and discard.
4. Drill 3/4" hole on frame 5/8" over from the face 3 1/4" down from the header.
5. With the hinge closed and standing cap up or on its side and the cap away from you, cut so that you cut through the cap first.
6. Cut bottom portion of mechanical. (chop or Porta-saw).



NOTE: Frame reinforcement: None required for doors up to 200 lbs. For doors more than 200 lbs., 16 gauge channel required

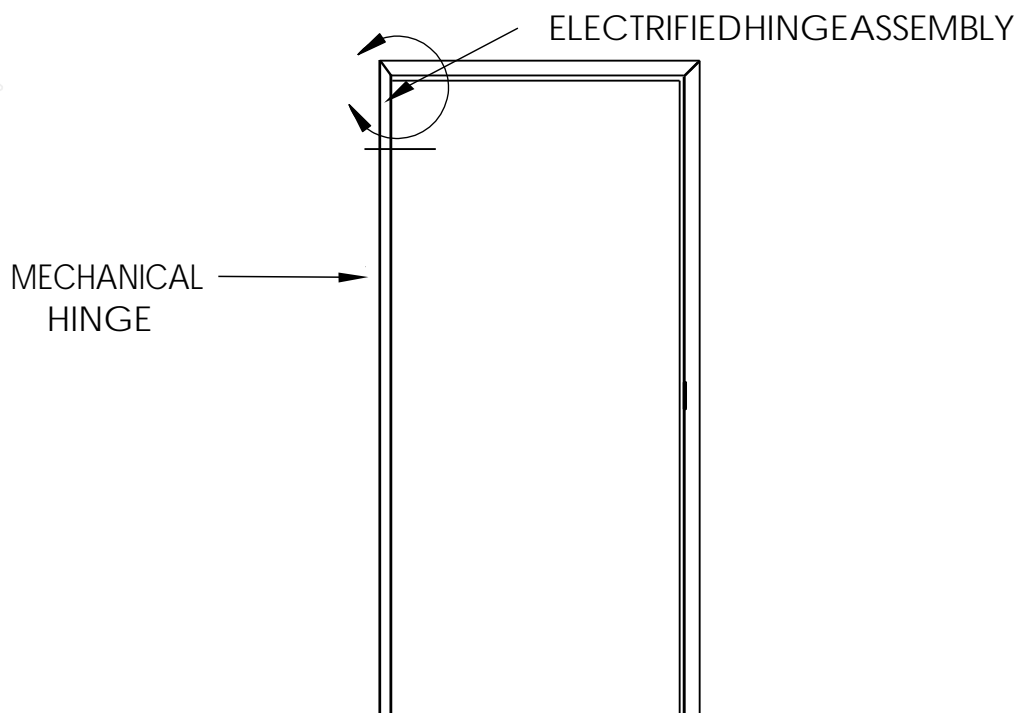
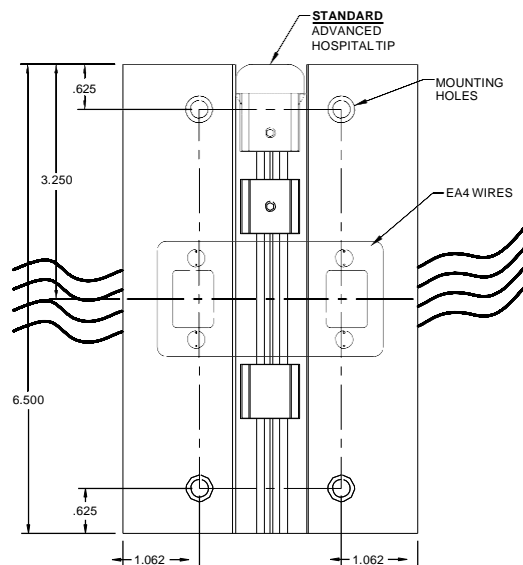
## Header Installation

1. Mark the mounting hole locations using the header as a guide. Locate the hinge side of the header 1-1/2" from the frame jamb rabbet and align the bottom of the header with the frame head rabbet.
2. Center punch, drill, and tap the mounting holes into the frame face for a 1/4"-20 thread. (Recommended drill size is .201" diameter, #7 drill bit.) **Accurate location is important for proper installation.**
3. Attach the header to the frame using the 1/4"-20 tamper-resistant screws provided. Mini header must be kept flush with full length header.



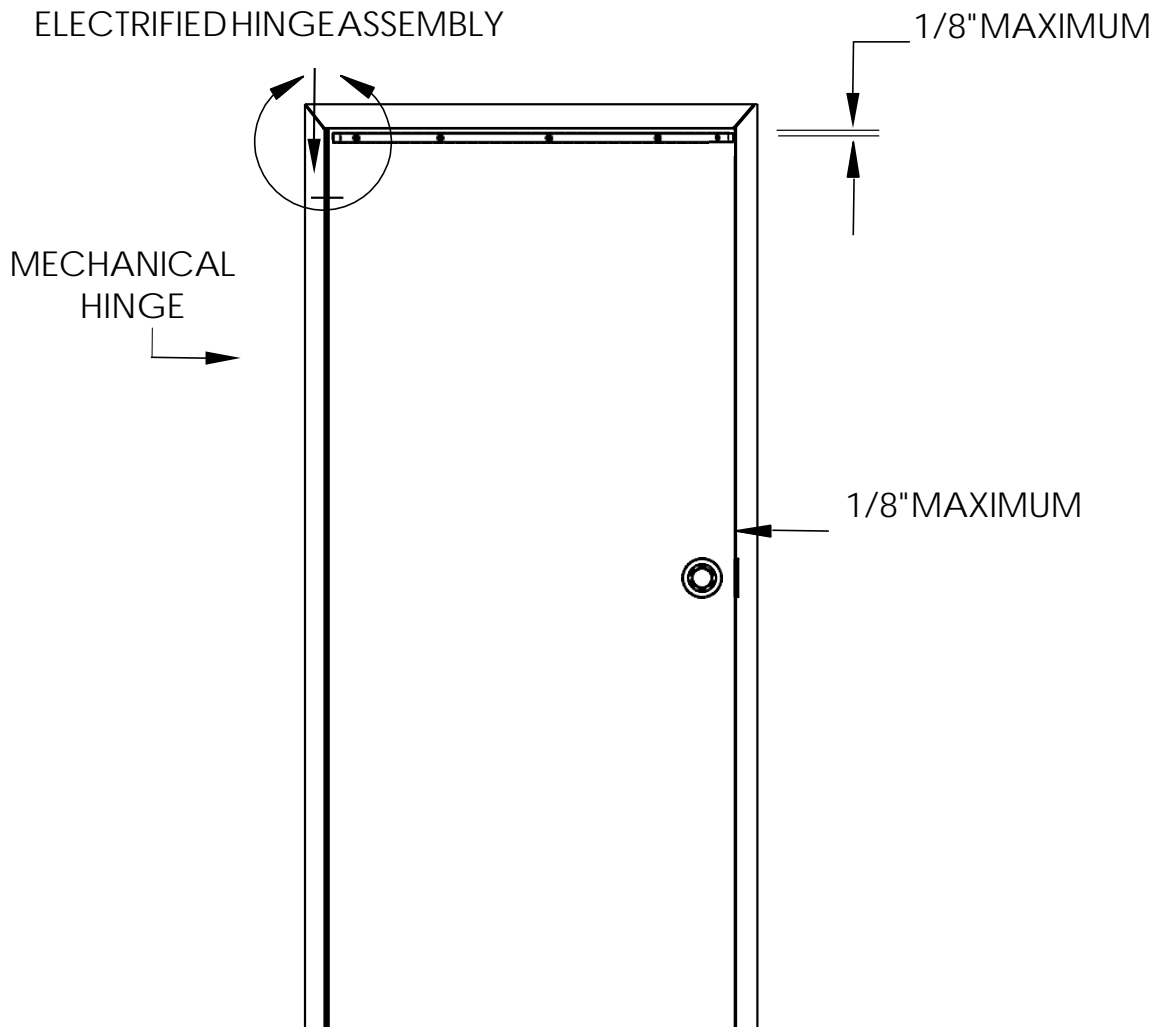
## Electrified and Mechanical Hinge Installation

1. Route electrified hinge section wires through wire access hole in frame.
2. With the electrified hinge open, locate the top of the hinge flush to the header.
3. Make sure the frame alignment is tight against the frame face.
4. Mark or center punch hole locations.
5. Drill all holes using #13 (.185") or 3/16" diameter drill. For wood doors use 5/32" diameter drill. Install electrified hinge assembly.
6. Place the mechanical hinge frame leaf tight against electric hinge with frame alignment flange against frame face.
7. Mark and center punch the mounting hole locations. **Accurate location is important for proper installation.**
8. Attach the mechanical hinge frame leaf frame using the screws provided.
9. Remove both the electric and mechanical hinge.



## Door Installation

1. Drill a 3/8" diameter hole in face of door 3/4" from the hinge edge of the door and 1/2" from the top of the door 1" deep. Drill a 3/4" diameter hole in the edge of the door 3 1/8" from top, angled towards hole in door face for wire raceway.
2. Position electrified hinge assembly 3/16" above the top of the door. Mark the holes.
3. Mark or center punch, and drill all holes using #13 (.185") or 3/16" diameter drill. For wood doors use 5/32" diameter drill. Install the electrified hinge assembly.
4. Position mechanical hinge tight to electrified hinge. Mark holes and attach.
5. Take door with electric and mechanical hinge to frame and install with supplied fasteners.
6. Check the door for proper door clearance.
7. Install theremainingscrews.



## Switch Installation

1. Route wires for switch through holes drilled.
2. Mark the mounting hole locations using the switch guide.
3. Center punch and drill the 3/8" diameter mounting holes completely through the door. **Accurate location is important for proper installation.**
4. Attach the switch to the door using the 1/4"-20 tamper-resistant screws and sexbolts provided.
5. Make the electrical connections between the top hinge door lead wires and the switch wires. **Excess wire must be routed back into the wire access hole in the door.**
6. Verify there is a 1/8" maximum clearance between the switch actuator and the header of the frame.
7. Complete the installation by verifying the switch is operating properly with The Door Switch system. Moving the switch actuator closer to the header will improve the switch operation.

