



Life More Secure.

FOR INSTALLATION AND
PRODUCT INFORMATION,
CALL OUR TOLL FREE NUMBER
MONDAY-FRIDAY 8:00AM - 5:00PM CST:

1-877-998-5625

OR VISIT OUR WEBSITE AT:

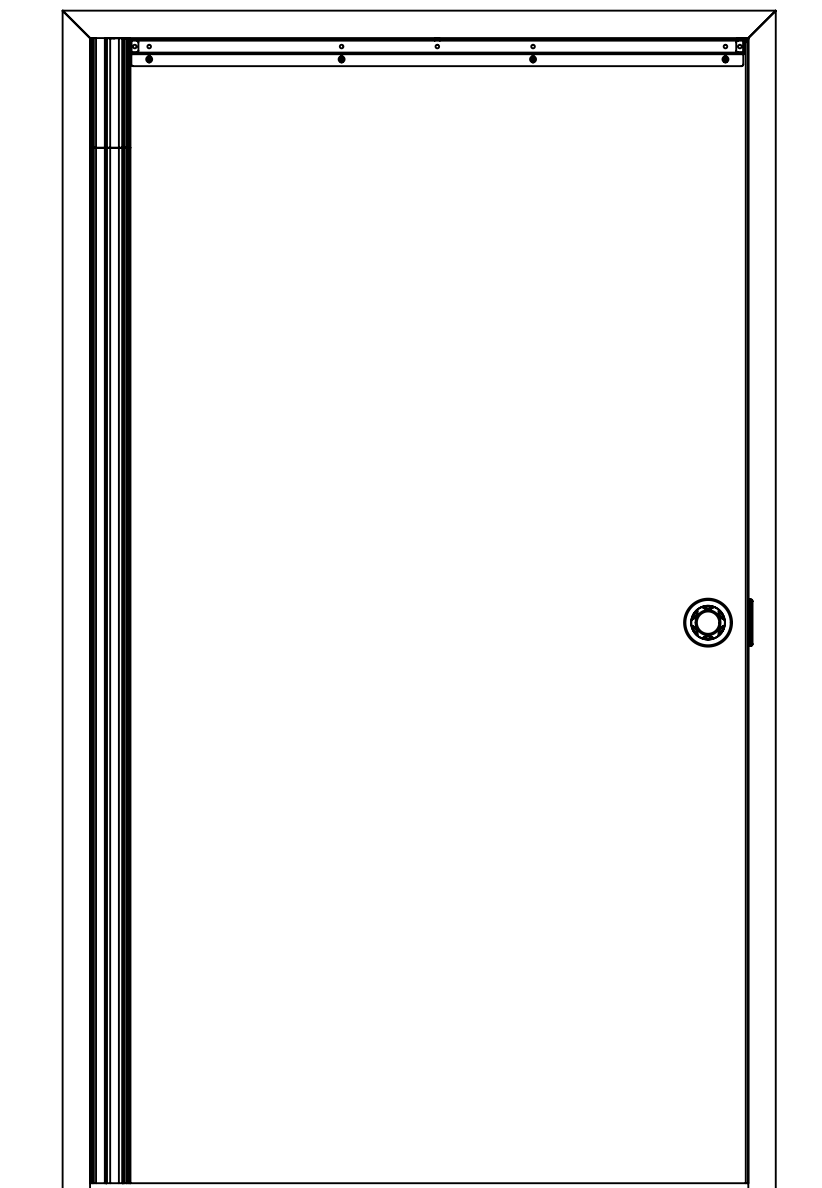
WWW.THEDOORSWITCH.COM

The Door Switch™ is a patented design.

U.S. Patent No. RE42,991

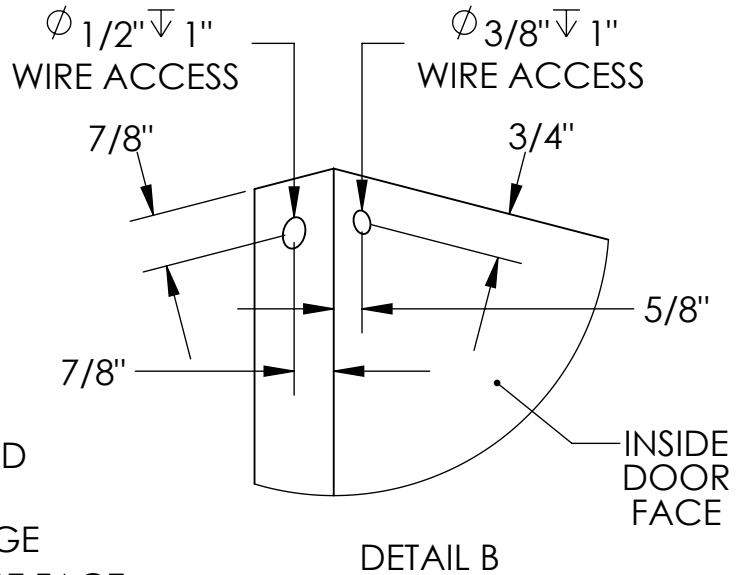
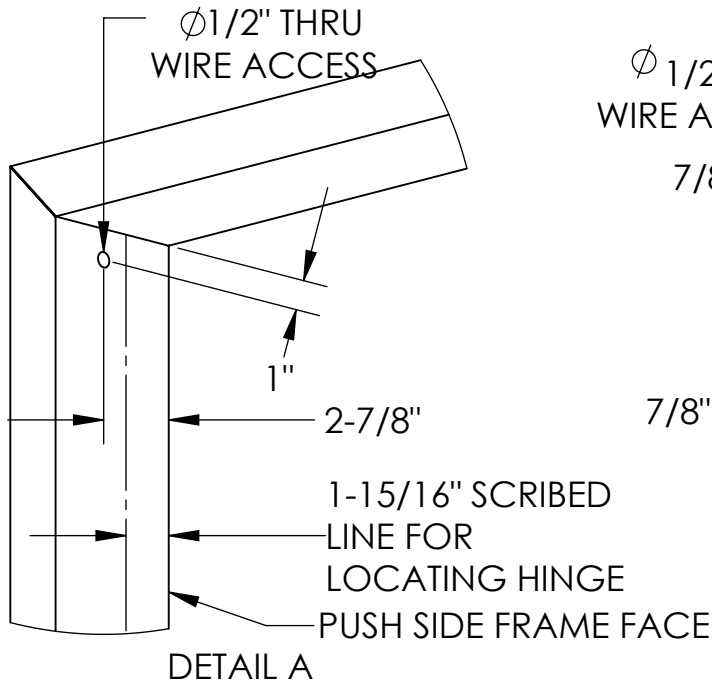
U.S. Patent No. RE44,039

DOORWAY COMPONENT INSTALLATION SHEETS
(MARKAR BEHAVIORAL HEALTH HINGE APPLICATION)

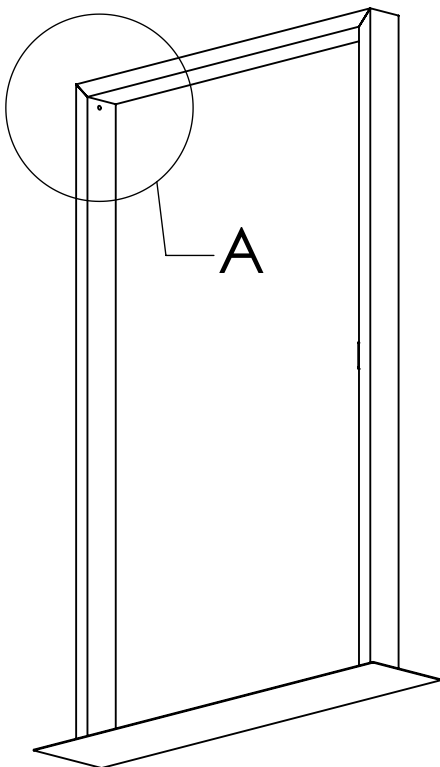


Doorway Preparation

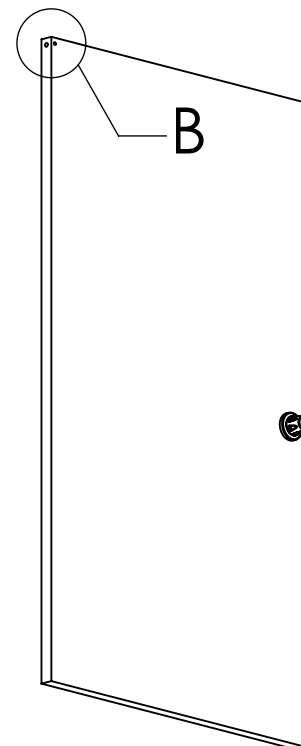
1. Install the emergency release stop using the manufacturer's instructions.
2. Mark and drill a $\phi 1/2"$ wire access hole through the frame for making the electrical connections between the electrified hinge frame leaf wires and The Door Switch module wires.
3. Scribe a line from top to bottom $1-15/16"$ from the push side of door frame face location of the to mark the electrified and mechanical hinge sections.
4. Mark and drill a $\phi 1/2"$ and a $\phi 3/8"$ wire access hole 1" deep through the door's edge and inside frame respectively for making the electrical connections between the electrified hinge door leaf wires and The Door Switch - switch wires.



SHOWN AS RIGHT HAND

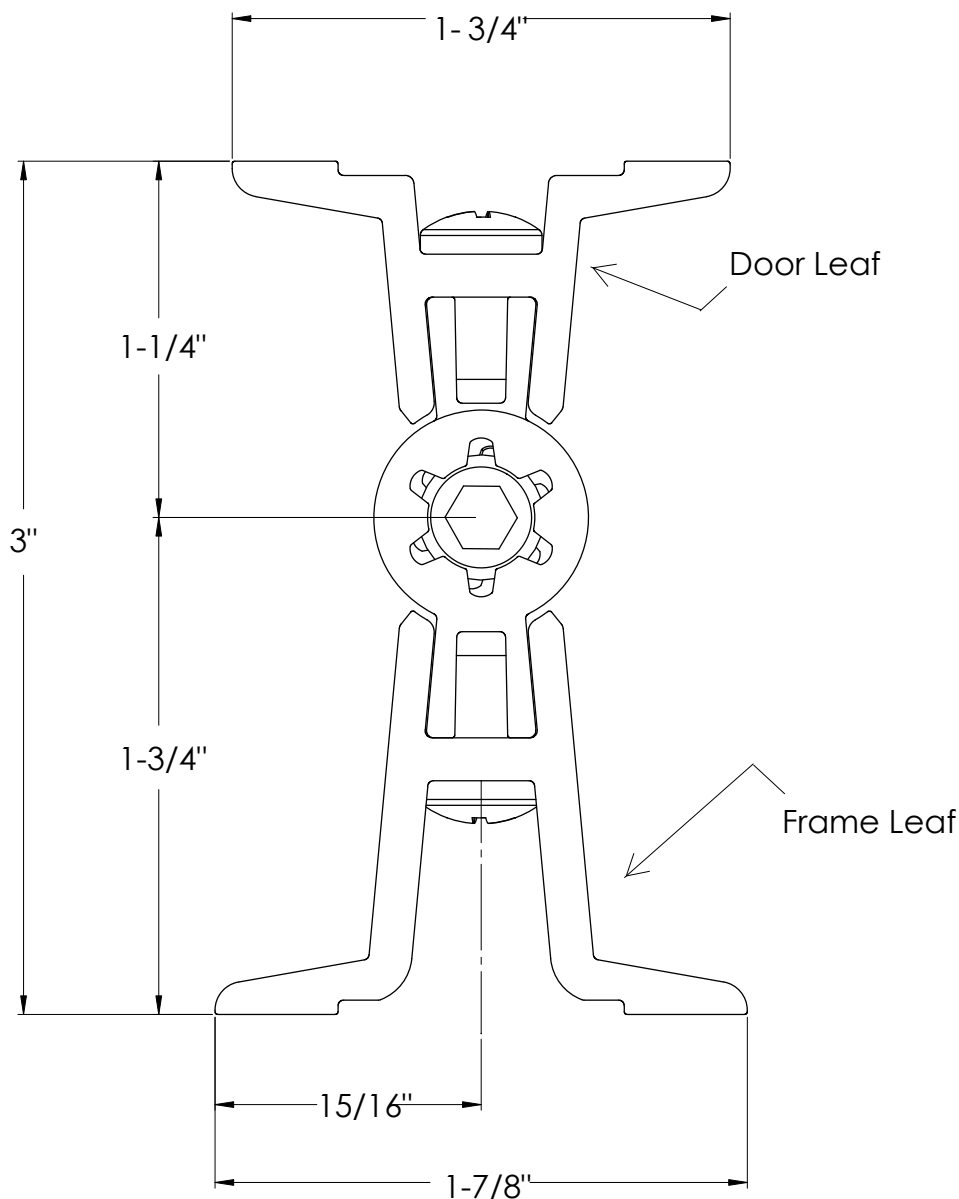


SHOWN AS RIGHT HAND



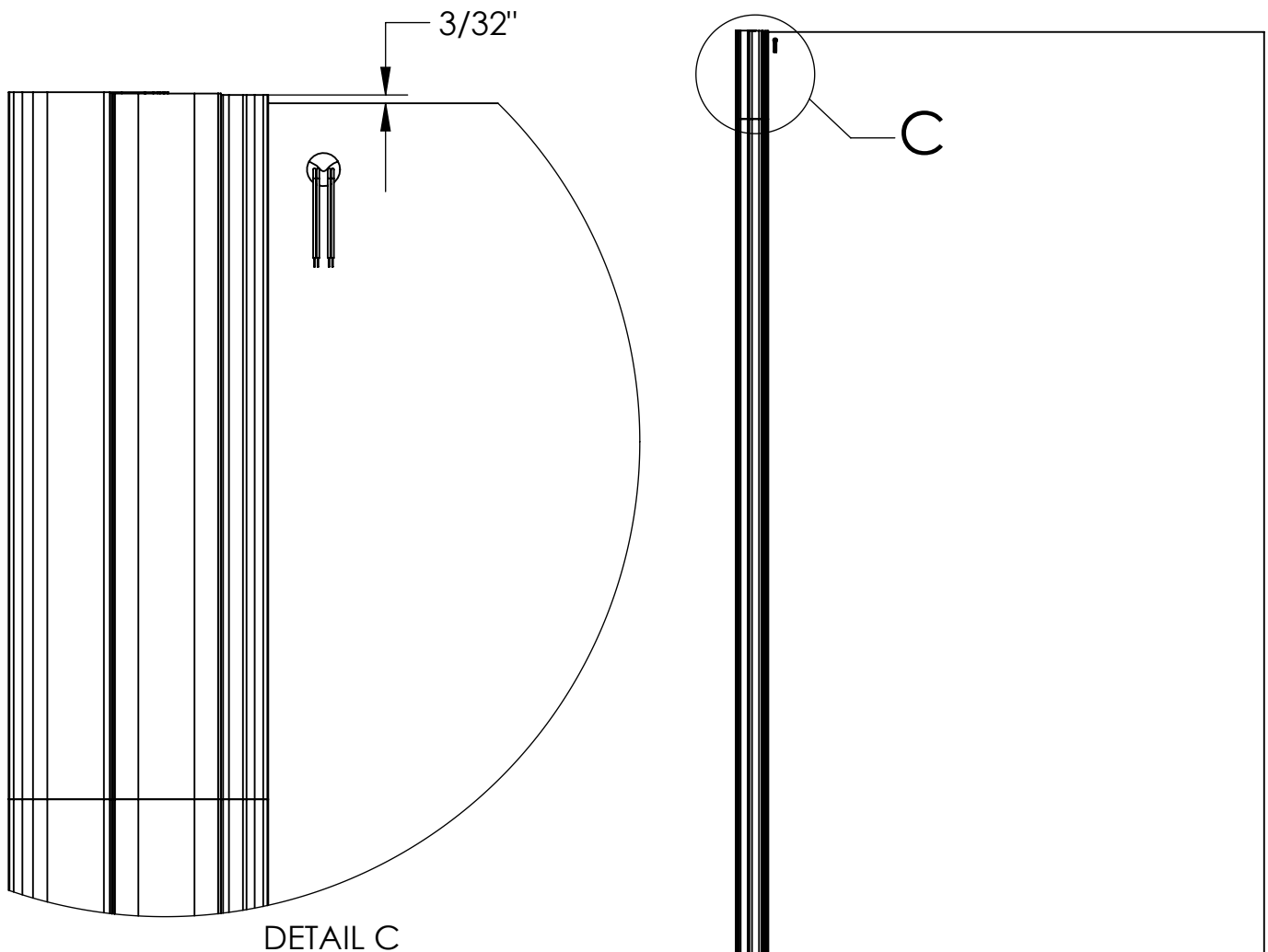
Electrified and Mechanical Hinge Section Installation

1. Hold the frame portion of the electrified hinge section against the frame header, aligning the edge of the hinge section with the scribed line. **(Note: It is not necessary to insert the frame leaf wires into the wire access hole in the frame at this time, but be careful not to damage the wires.)**
2. Mark and drill a pilot hole (reference the drill size chart) in all eight locations with the drill angled towards the center of the door. To help with alignment, install one #12-24 x 1/2" x #8 FH self-tapping security Torx screw at the top of the hinge before marking the other three holes.
3. Using the provided 0.010" spacer between the two hinge sections, align the frame portion of the mechanical hinge section with the electrified hinge section and the scribed line.
4. Repeat step #2 for the two top and two bottom holes on each side of the mechanical hinge section.
5. Remove both hinge sections from the frame.



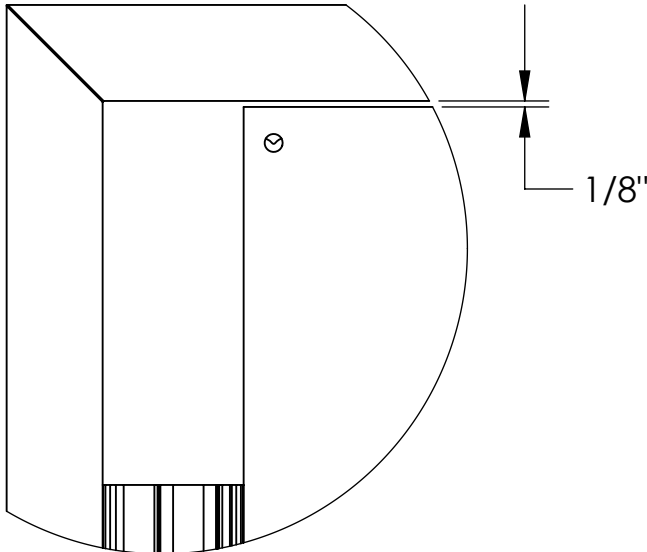
Electrified and Mechanical Hinge Section Installation (continued)

6. Route the electrified hinge section door leaf wires through the wire access holes and out of the face of the door.
7. Hold the door portion of the electrified hinge section against the hinge edge of the door and offset from the top of the door by $3/32$ ".
8. Mark and drill a pilot hole (reference the drill size chart) in all six locations with the drill angled towards the center of the door. To help with alignment, install one screw at the top of the hinge before marking the other three holes.
 - a. For wood doors: #12 x 1-1/2" x #8 FH security Torx screws
 - b. For metal doors: #12-24 x 1/2" x #8 FH self-tapping security Torx screws
9. Using the provided 0.010" spacer between the two hinge sections, align the door portion of the mechanical hinge section with the electrified hinge section.
10. Repeat step #8 for the two top and two bottom holes on each side of the mechanical hinge section.
11. Complete the installation of the mechanical hinge section to the door for the remaining hinge holes.
12. Remove the electrified hinge section from the door.

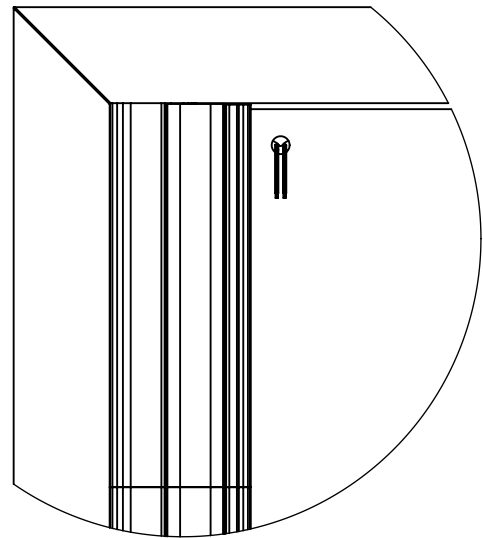


Door and Electrified Hinge Section Installation

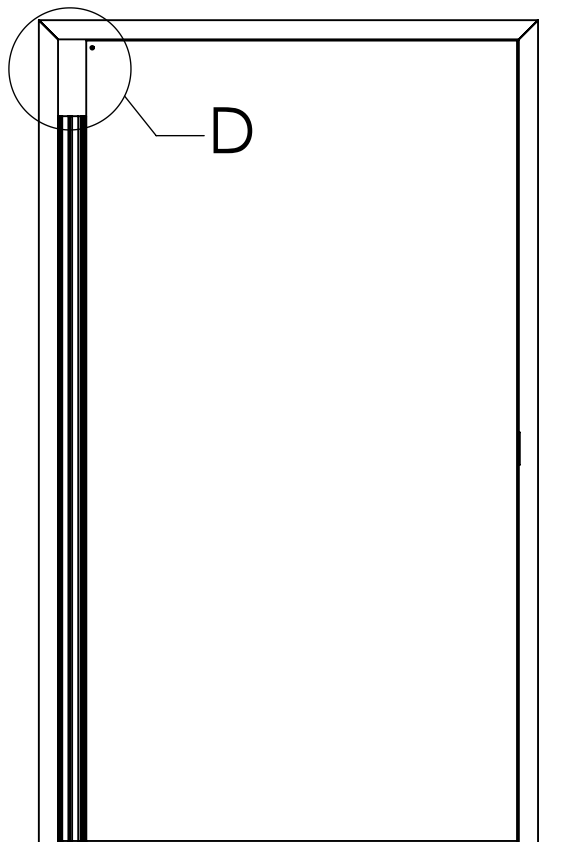
1. Place the door in the opening and wedge into place.
2. Install the four screws in the previously drilled frame holes for the mechanical hinge section. Check alignment and gaps and adjust if necessary.
3. Complete the installation of the mechanical hinge section to the frame for the remaining hinge holes.
4. Make the electrical connections between the electrified hinge frame leaf wires and The Door Switch module wires and insert the wires into the wire access hole in the frame. **Connecting two hinge wires to one module wire is recommended.**
5. Install the eight screws in the previously drilled frame holes.
6. Route the electrified hinge section door leaf wires through the wire access holes and out of the face of the door.
7. Install the six screws in the previously drilled door holes.



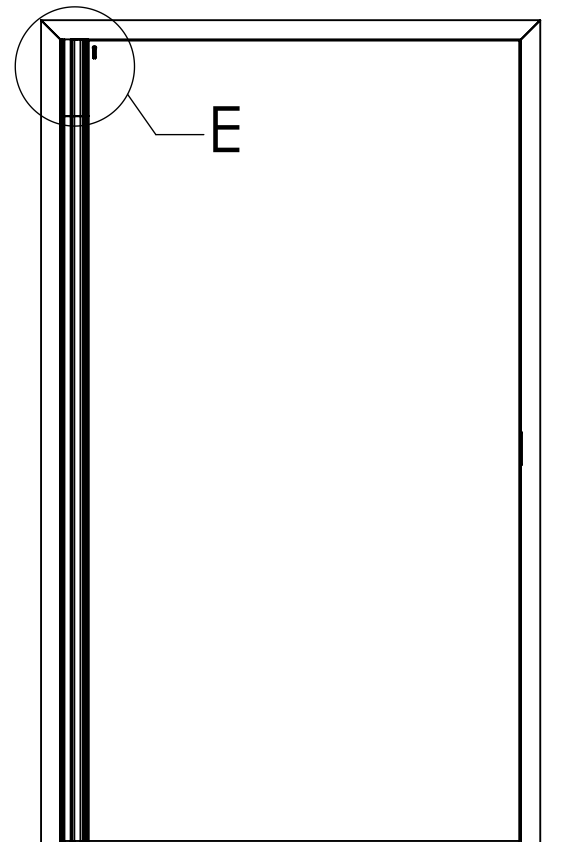
DETAIL D



DETAIL E



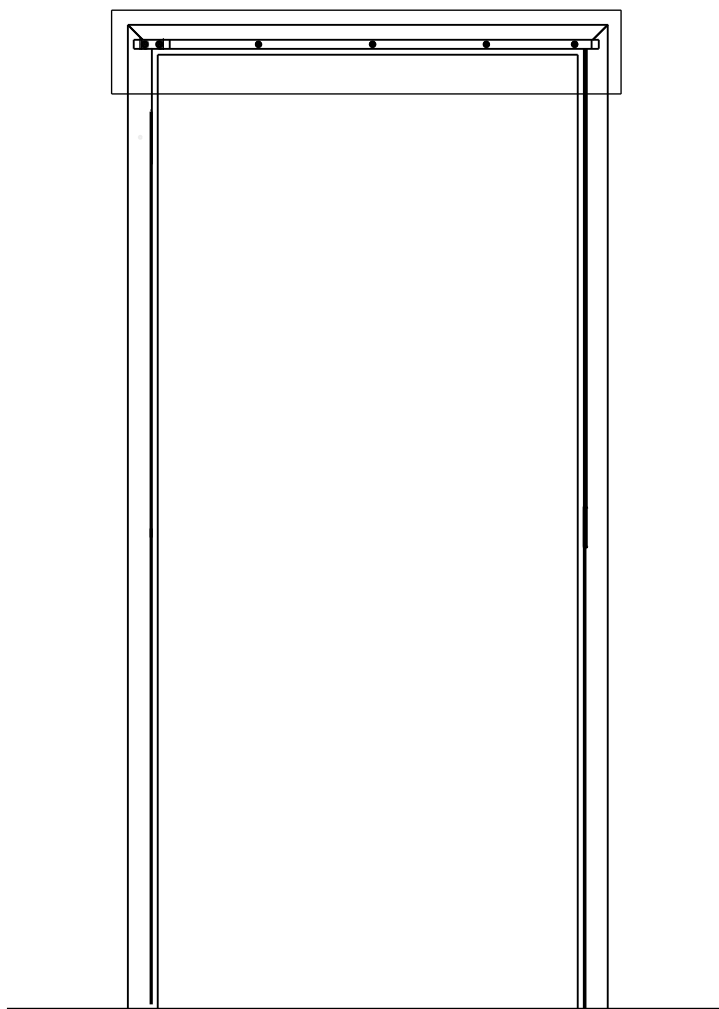
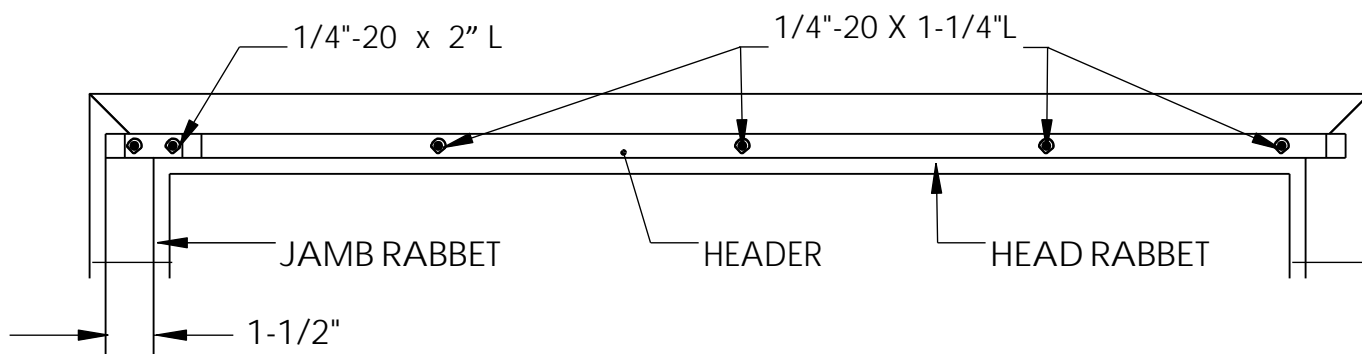
D



E

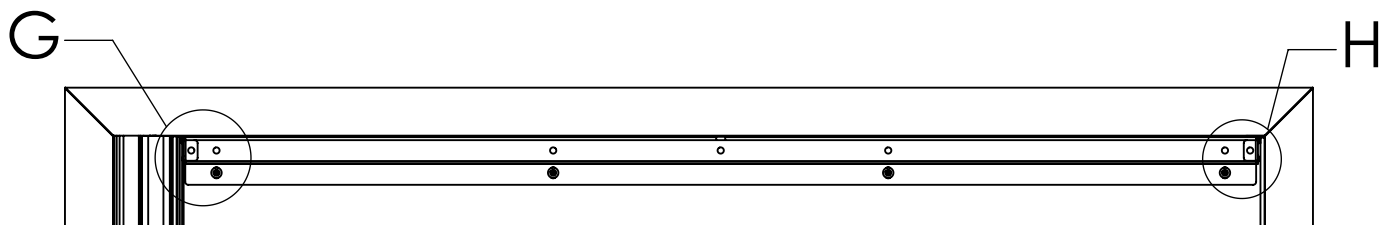
Header Installation For Doors Where Hinge Is Not Centered In The Frame

1. Mark the mounting hole locations using the header as a guide. Locate the hinge side of the header 1-1/2" from the frame jamb rabbet and align the bottom of the header with the frame head rabbet.
2. Center punch, drill, and tap the mounting holes into the frame face for a 1/4"-20 thread. (Recommended drill size is .201" diameter, #7 drill bit.) **Accurate location is important for proper installation.**
3. Attach the header to the frame using the 1/4"-20 tamper-resistant screws provided. Mini header must be kept flush with full length header. Header must be installed tight against the door frame (no gaps).

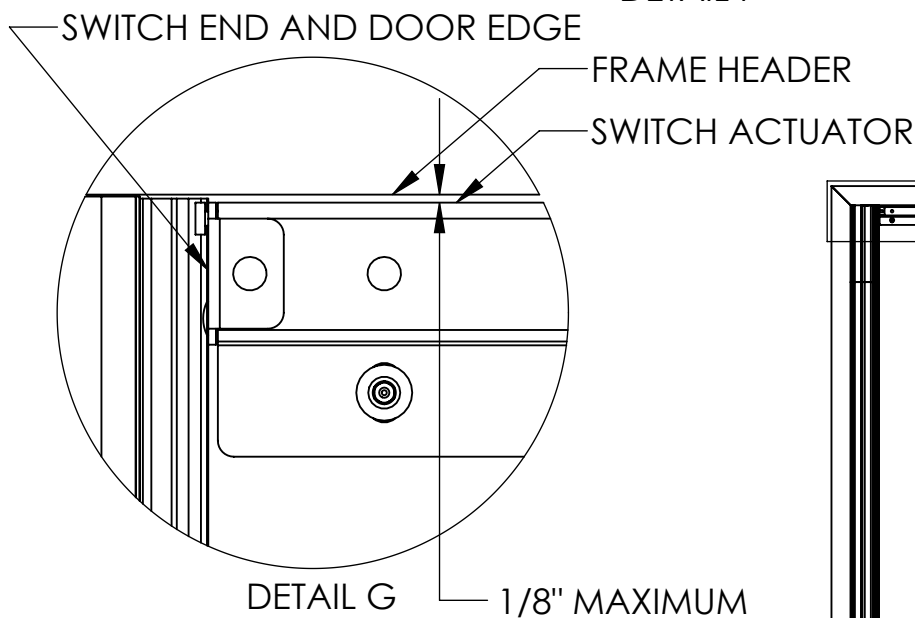


Switch Installation

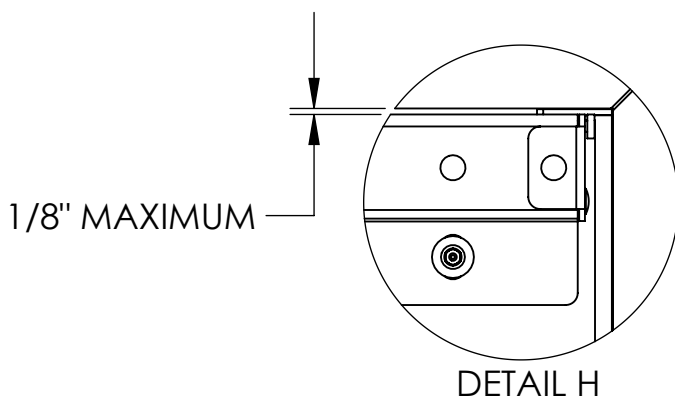
1. Mark the mounting locations using the switch as a guide. Locate the switch end flush to the the door edge and the switch actuator 1/8" maximum from the frame header.
2. Center punch and drill the $\phi 3/8$ " mounting holes completely through the door. **Accurate location is important for proper installation.**
3. Make the electrical connections between the electrified hinge door leaf wires and the switch wires. **Connecting two hinge wires to one switch wire is recommended. Combine the same color wires as used when connecting the electrified hinge frame leaf wires to The Door Switch module. Excess wire must be inserted back into the wire access hole in the face of the door.**
4. Attach the switch to the door using the provided 1/4"-20 x 1-1/2" tamper-resistant screws and sexbolts.
5. Verify there is an 1/8" maximum gap between the switch actuator and the frame header.
6. Complete the installation by verifying the switch is operating properly with The Door Switch System. **Moving the switch actuator closer to the frame header will improve the switch operation.**



DETAIL F



DETAIL G 1/8" MAXIMUM



DETAIL H

